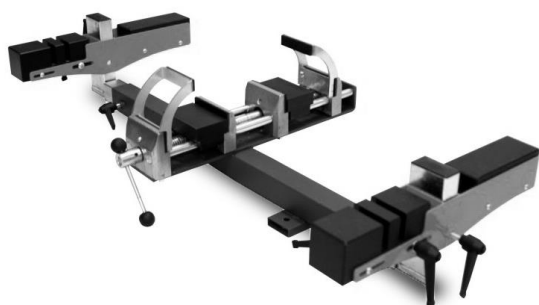


# MORSA DOPPIA

## MORSA PROFESSIONALE DA BANCO PER LA LAVORAZIONE SUGLI SCI SNOWBOARD

- Stable and comfortable maintenance of a winter sport gear, both skis and snowboards: filling, trowelling, manual workings of skis on the top and side, waxing and mounting or adjustment of all ski bindings
- Sturdy construction, powder coated steel frame, aluminum locking jaws with non-slip vulcanized rubber.
- Possibility to work with skis, with or without bindings, with a central width up to 145 mm and snowboard up to 270 mm.
- Possibility to work any length thanks to the adjustable telescopic supports.
- The particular construction of the vice allows to put the skis and the board in multiple positions, including the side, ensuring excellent stability of the tool being processed.
- You can easily fix the ski thanks to the central locking screw with special thread and to the special adjustable side supports. You can bloc the vice over any work bench thanks to the possibility to anchor it by the special clamps supplied or to fix it in a stable manner by the screws, using the appropriate dedicated holes present in the frame.



### DATA SHEET



**Voltage:** not present  
**Weight:** 16 kg  
**Size:** Max: P cm. 48 x L cm.160 x H cm. 21  
**Colour:** White, Grey and Black